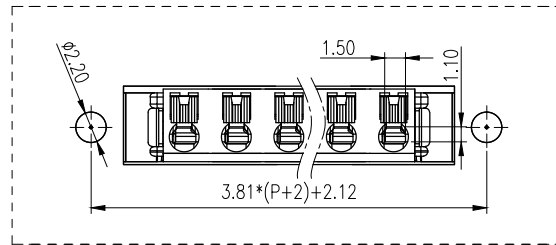
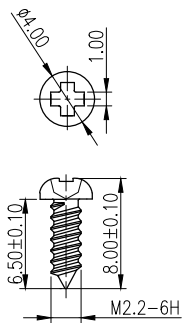


REVISION RECORD			
REV.	CONTENT	MOD.	DATE
△	初版发行		

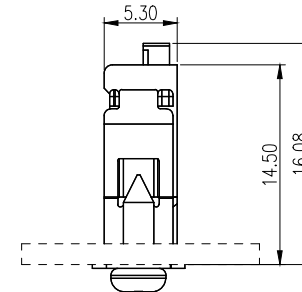
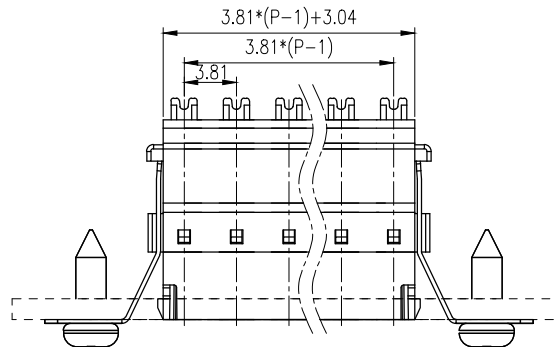
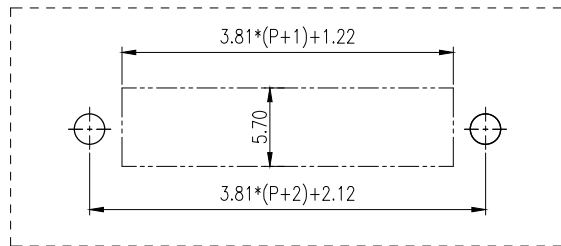


NOTES:

1. Voltage Rating: 300V, Current Rating: 6A
2. PITCH: 3.81mm
3. Insulation Withstands Voltage: AC2000V/min
4. Insulation Resistance: 2.0 MΩ or more at DC500V
5. Using Temperature Range: -40°C ~ +105°C
6. Suitable Electric Wire: 26-20AWG

技术要求:

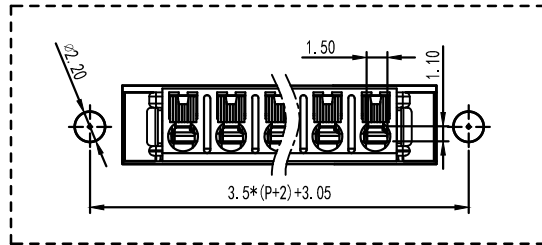
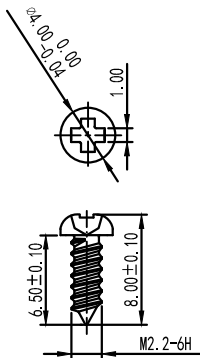
1. 额定电压: 300V, 额定电流: 6A
2. 间距: 3.81mm
3. 耐压值: AC 2000V/min
4. 绝缘阻抗: 2.0兆欧
5. 使用条件: -40°C ~ +105°C
6. 适用线规: 26-20AWG



	pitch dimension			Nominal dimension					— /
	over 0	over 6	over 10	over 0	over 30	over 60	over 100	over 150	
variable range	to 6	to 10	to 24	to 30	to 60	to 100	to 150		— /
Tolerance	±0.1	±0.15	±0.25	±0.2	±0.3	±0.5	±0.7	±1.0	0.05/10

7	M2.2*6.5圆头自攻螺丝	SQZSA226509V	2	碳钢	蓝白锌
6	LC80C-2.54穿墙件	1170B0002AV	2	SUS301	
5	LC80针	1170B0001AV	2	磷青铜	镀亮锡
4	LC8-2.54弹片	1169B0002AV	P	不锈钢	
3	LC8按钮	1169D0Y01AV	P	PA66	
2	LZ8X-3.81主体	1199A0YXXAV	1	PA66	
1	LC8XM-3.81主体	1196M0YXXAV	1	PA66	
NO.	NAME OF PART	NO. OF PART	Q'TY	MATERIAL	NOTES
DES.	WYY	DATE 22/10/29	UNITS	mm	THIRD ANGLE PROJECTION
CHK.		DATE	SIZE	A4	SHEET 1 of 1
APP.		DATE	SCALE	1:1	DWG NO. SP-2-1172001 REV: V0
上海联捷电气有限公司 Shanghai Einker Electric CO.,LTD				TITLE	LC80XC-3.81-XXP-1Y-00A LC80XC-3.81-成品

REVISION RECORD			
REV.	CONTENT	MOD.	DATE
△	初版发行		

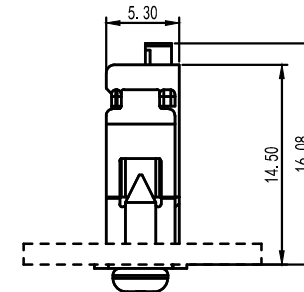
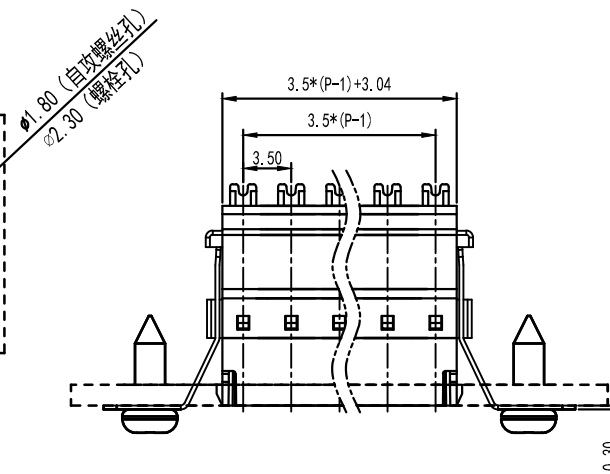
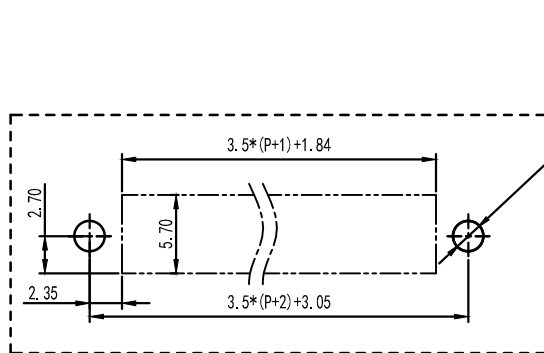


NOTES:

1. Voltage Rating: 300V, Current Rating: 6A
2. PITCH: 3.5mm
3. Insulation Withstands Voltage: AC2000V/min
4. Insulation Resistance: 2.0 MΩ or more at DC500V
5. Using Temperature Range: -40°C~+105°C
6. Suitable Electric Wire: 26-20AWG

技术要求:

1. 额定电压: 300V, 额定电流: 6A
2. 间距: 3.5mm
3. 耐电压值: AC 2000V/min
4. 绝缘阻抗 2.0兆欧
5. 使用条件: -40°C~+105°C
6. 适用线规: 26-20AWG



	pitch dimension			Nominal dimension					— /
	over 0 to 6	over 6 to 10	over 10 to 24	over 0 to 30	over 30 to 60	over 60 to 100	over 100 to 150	over 150	
variable range	0	6	10	0	30	60	100	150	□ ○
Tolerance	±0.1	±0.15	±0.25	±0.2	±0.3	±0.5	±0.7	±1.0	0.05/10

7	M2.2*6.5圆头自攻螺丝	SQZSA226509V	2	碳钢	蓝白
6	LC80C-2.54穿墙件	1170B0002AV	2	SUS301	锌
5	LC80针	1170B0001AV	2	磷青铜	镀锡
4	LC8-2.54弹片	1169B0002AV	P	不锈钢	
3	LC8按钮	1169D0Y01AV	P	PA66	
2	LZ8X-3.5主体	1198A0YXXAV	1	PA66	
1	LC8XM-3.5主体	1195M0YXXAV	1	PA66	
NO.	NAME OF PART	NO. OF PART	Q'TY	MATERIAL	NOTES
DES.	CMZ	DATE 2026/03/17	UNITS mm	THIRD ANGLE PROJECTION	SHEET 1 of 1
CHK.		DATE	SIZE A4		
APP.		DATE	SCALE 1:1	DWG NO. SP-2-1172001	REV: V0
上海联捷电气有限公司 Shanghai Einker Electric CO.,LTD				TITLE	LC80XC-3.5-XXP-1Y-00A LC80XC-3.5-成品