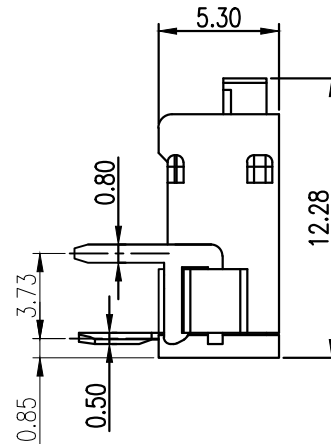
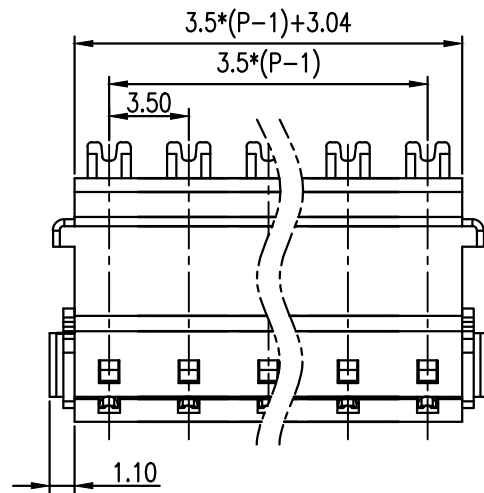
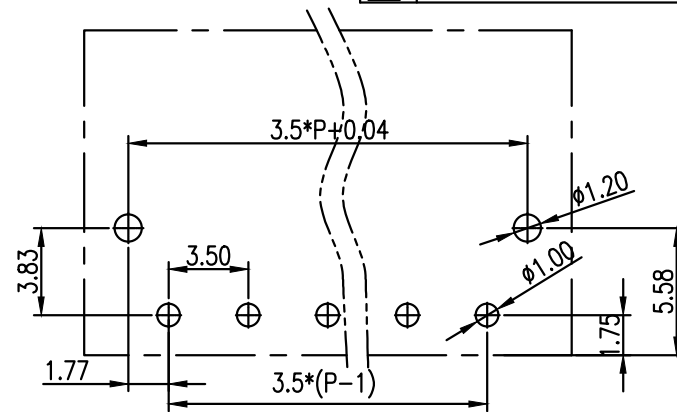
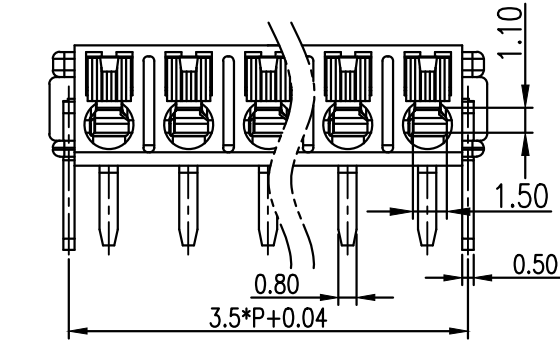


REVISION RECORD			
REV.	CONTENT	MOD.	DATE
△	初版发行		



技术要求:

1. 额定电压: 300V, 额定电流: 6A
2. 间距: 3.5mm
3. 耐电压值: AC 2000V/min
4. 使用条件: -40°C~+105°C
5. 适用线规: 26-20AWG
6. 剥线长度: 7mm

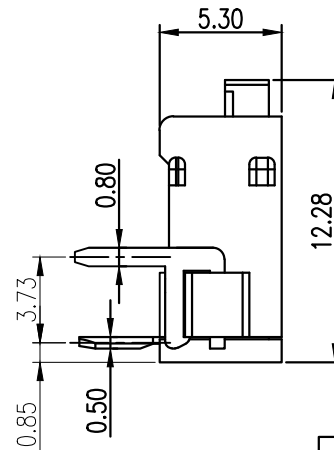
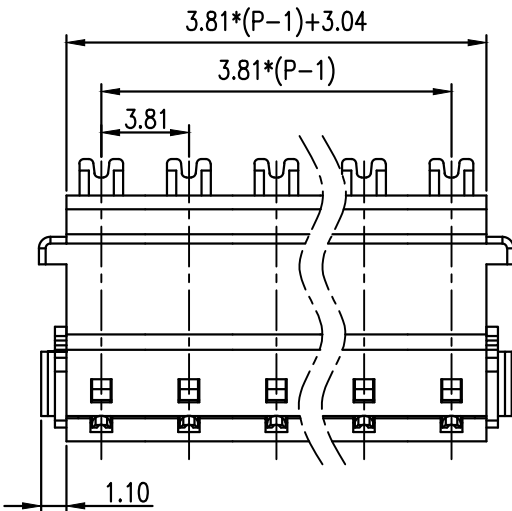
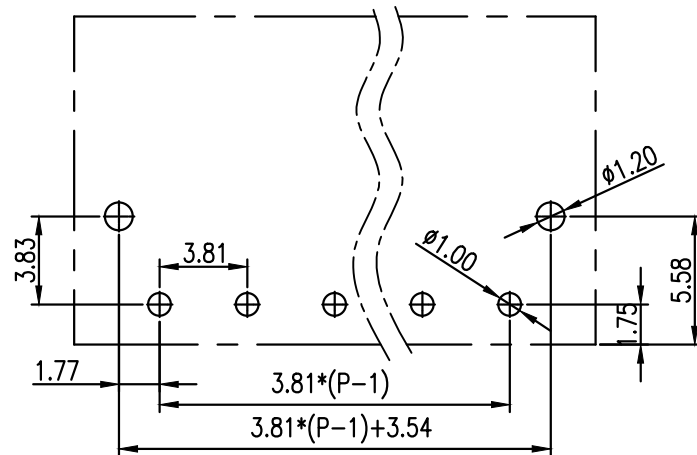
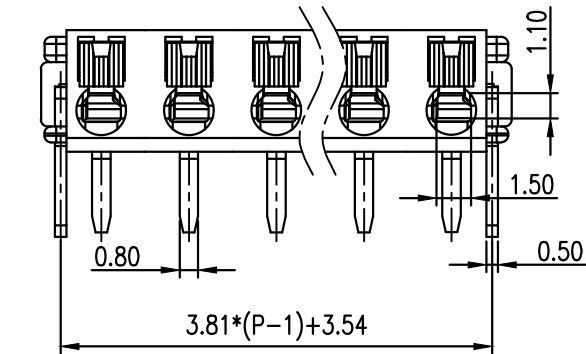
NOTES:

1. Voltage Rating: 300V, Current Rating: 6A
2. PITCH: 3.5mm
3. Insulation Withstands Voltage: AC2000V/min
4. Using Temperature Range:-40°C~+105°C
5. Suitable Electric Wire:26-20AWG
6. Stripping Length:7mm

	pitch dimension			Nominal dimension					— ◇ ○
	over 0	over 6	over 10	over 0	over 30	over 60	over 100	over 150	
variable range	to 6	to 10	to 24	to 30	to 60	to 100	to 150		
Tolerance	±0.1	±0.15	±0.25	±0.2	±0.3	±0.5	±0.7	±1.0	0.05/10

6	2.54-R耳朵固定针	1169B0006AV	2	不锈钢	
5	LC8-2.54弹片	1169B0002AV	P	不锈钢	
4	LS341-2.54-R针	1171B0002AV	1	磷青铜	镀亮锡
3	LC8按钮	1169D0Y01AV	P	POM	
2	LS341X-3.5盖板	1219C0YXXAV	1	PA66	
1	LC8XM-3.5主体	1195M0YXXAV	1	PA66	
NO.	NAME OF PART	NO. OF PART	Q'TY	MATERIAL	NOTES
DES.	GMZ	DATE	26/01/26	UNITS	mm
CHK.		DATE		SIZE	A4
APP.		DATE		SCALE	1:1
				DWG NO.	SP-2-1171001
				REV:	V0
 上海有乐电气有限公司 Shanghai YouLe Electric CO.,LTD				TITLE	LS341XR-3.5-XXP-1Y-00A
					LS341XR-3.5-成品

REVISION RECORD			
REV.	CONTENT	MOD.	DATE
△	初版发行		



技术要求:

1. 额定电压: 300V, 额定电流: 6A
2. 间距: 3.81mm
3. 耐压值: AC 2000V/min
4. 使用条件: -40°C~+105°C
5. 适用线规: 26-20AWG
6. 剥线长度: 7mm

NOTES:

1. Voltage Rating: 300V, Current Rating: 6A
2. PITCH: 3.81mm
3. Insulation Withstands Voltage: AC2000V/min
4. Using Temperature Range: -40°C~+105°C
5. Suitable Electric Wire: 26-20AWG
6. stripping length: 7mm

6	2.54-R耳朵固定针	1169B0006AV	2	不锈钢	
5	LC8-2.54弹片	1169B0002AV	P	不锈钢	
4	LS341-2.54-R针	1171B0002AV	1	磷青铜	镀亮锡
3	LC8按钮	1169D0Y01AV	P	POM	
2	LS341X-3.81盖板	1220G0YXXAV	1	PA66	
1	LC8XM-3.81主体	1196M0YXXAV	1	PA66	

	pitch dimension			Nominal dimension					— ◇ ○
	over 0 to 6	over 6 to 10	over 10 to 24	over 0 to 30	over 30 to 60	over 60 to 100	over 100 to 150	over 150	
variable range	0	6	10	0	30	60	100	150	◇
Tolerance	±0.1	±0.15	±0.25	±0.2	±0.3	±0.5	±0.7	±1.0	○

NO.	NAME OF PART	NO. OF PART	Q'TY	MATERIAL	NOTES
DES.	CMZ	DATE	26/01/08	UNITS	mm
CHK.		DATE		SIZE	A4
APP.		DATE		SCALE	1:1
				DWG NO.	SP-2-1171001
				REV:	V0
上海联捷电气有限公司 Shanghai Elinker Electric CO.,LTD				TITLE	LS341XR-3.81-XXP-1Y-00A LS341XR-3.81-成品