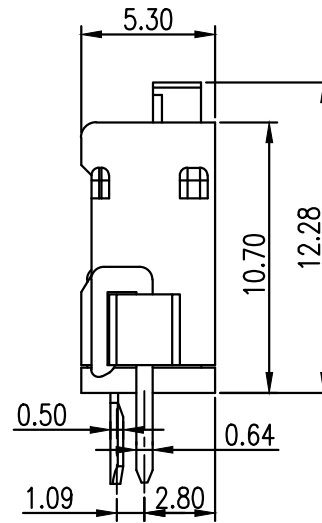
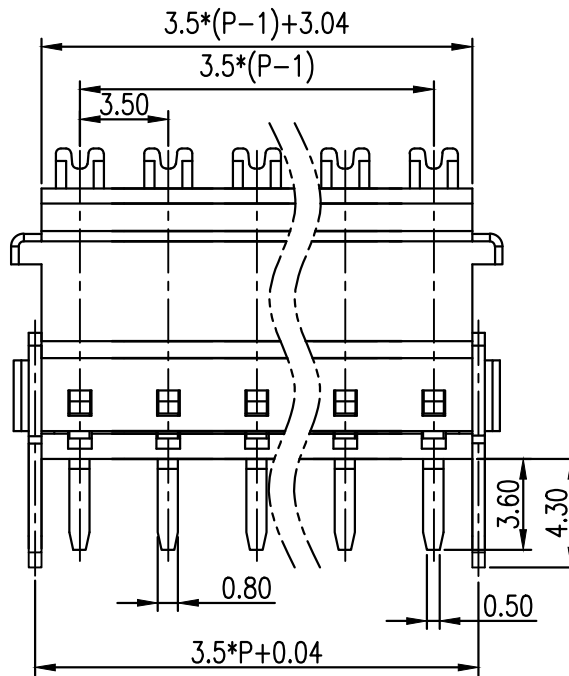
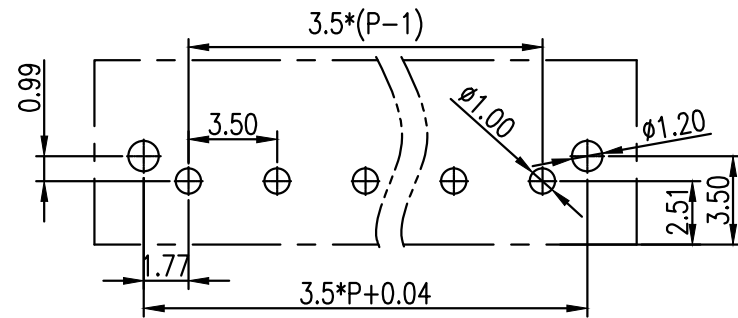
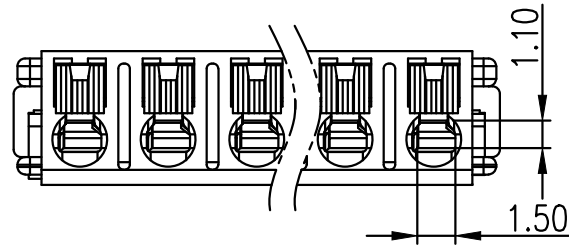


| REVISION RECORD | | | |
|-----------------|---------|------|------|
| REV. | CONTENT | MOD. | DATE |
| △ | 初版发行 | | |



技术要求:

1. 额定电压: 300V, 额定电流: 6A
2. 间距: 3.5mm
3. 耐电压值: AC 2000V/min
4. 使用条件: -40°C~+105°C
5. 适用线规: 26-20AWG
6. 剥线长度: 7mm

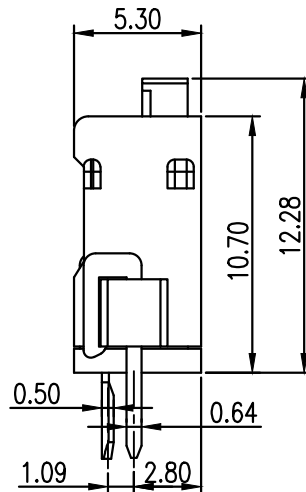
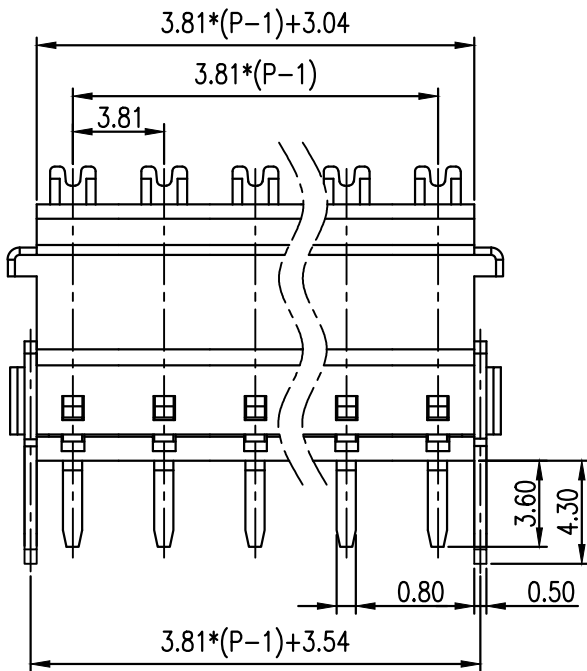
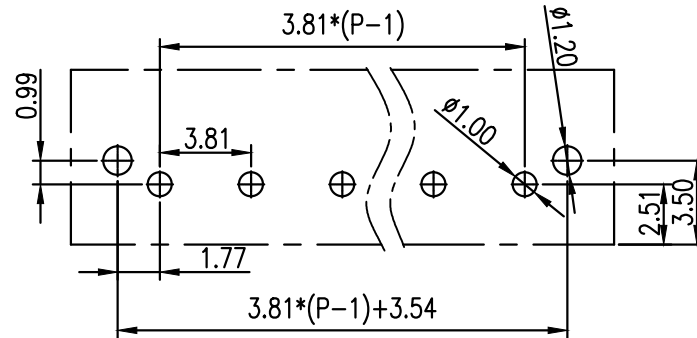
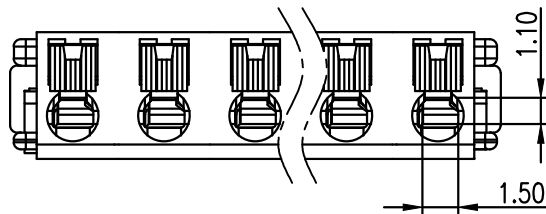
NOTES:

1. Voltage Rating: 300V, Current Rating: 6A
2. PITCH: 3.5mm
3. Insulation Withstands Voltage: AC2000V/min
4. Using Temperature Range: -40°C~+105°C
5. Suitable Electric Wire: 26-20AWG
6. stripping length: 7mm

| | pitch dimension | | | Nominal dimension | | | | | — |
|----------------|-----------------|--------|---------|-------------------|---------|---------|----------|----------|---------|
| | over 0 | over 6 | over 10 | over 0 | over 30 | over 60 | over 100 | over 150 | |
| variable range | to 6 | to 10 | to 24 | to 30 | to 60 | to 100 | to 150 | | ▱ |
| Tolerance | ±0.1 | ±0.15 | ±0.25 | ±0.2 | ±0.3 | ±0.5 | ±0.7 | ±1.0 | 0.05/10 |

| 6 | V3.81/3.5耳朵五金件 | 2079B0003AV | 2 | 不锈钢 | |
|---|----------------|-------------|----------|----------|--|
| 5 | LC8-2.54弹片 | 1169B0002AV | P | 不锈钢 | |
| 4 | LS341-2.54-V针 | 1171B0001AV | 1 | 磷青铜 | 镀亮锡 |
| 3 | LC8按钮 | 1169D0Y01AV | P | POM | |
| 2 | LS341X-3.5盖板 | 1219C0YXXAV | 1 | PA66 | |
| 1 | LC8XM-3.5主体 | 1195M0YXXAV | 1 | PA66 | |
| NO. | NAME OF PART | NO. OF PART | Q'TY | MATERIAL | NOTES |
| DES. | GMZ | DATE | 26/01/26 | UNITS | mm |
| CHK. | | DATE | | SIZE | A4 |
| APP. | | DATE | | SCALE | 1:1 |
| | | | | DWG NO. | SP-2-1171001 |
| | | | | REV: | V0 |
| 上海联捷电气有限公司 Shanghai Elinker Electric CO.,LTD | | | | TITLE | LS341XV-3.5-XXP-1Y-004 LS341XV-3.5-成品 |

| REVISION RECORD | | | |
|-----------------|---------|------|------|
| REV. | CONTENT | MOD. | DATE |
| △ | 初版发行 | | |



技术要求:

1. 额定电压: 300V, 额定电流: 6A
2. 间距: 3.81mm
3. 耐压值: AC 2000V/min
4. 使用条件: -40°C~+105°C
5. 适用线规: 26-20AWG
6. 剥线长度: 7mm

NOTES:

1. Voltage Rating: 300V, Current Rating: 6A
2. PITCH: 3.81mm
3. Insulation Withstands Voltage: AC2000V/min
4. Using Temperature Range: -40°C~+105°C
5. Suitable Electric Wire: 26-20AWG
6. stripping length: 7mm

| | pitch dimension | | | Nominal dimension | | | | | — / |
|----------------|-----------------|--------------|---------------|-------------------|---------------|----------------|-----------------|---------|---------|
| | over 0 to 6 | over 6 to 10 | over 10 to 24 | over 0 to 30 | over 30 to 60 | over 60 to 100 | over 100 to 150 | 0.05/10 | |
| variable range | 0 to 6 | 6 to 10 | 10 to 24 | 0 to 30 | 30 to 60 | 60 to 100 | 100 to 150 | 0.05/10 | — / |
| Tolerance | ±0.1 | ±0.15 | ±0.25 | ±0.2 | ±0.3 | ±0.5 | ±0.7 | ±1.0 | 0.05/10 |

| 6 | V3.81/3.5耳朵五金件 | 2079B0003AV | 2 | 不锈钢 | |
|---|----------------|-------------|----------|----------|--|
| 5 | LC8-2.54弹片 | 1169B0002AV | P | 不锈钢 | |
| 4 | LS341-2.54-V针 | 1171B0001AV | 1 | 磷青铜 | 镀亮锡 |
| 3 | LC8按钮 | 1169D0Y01AV | P | POM | |
| 2 | LS341X-3.81盖板 | 1220C0YXXAV | 1 | PA66 | |
| 1 | LC8XM-3.81主体 | 1196M0YXXAV | 1 | PA66 | |
| NO. | NAME OF PART | NO. OF PART | Q'TY | MATERIAL | NOTES |
| DES. | GMZ | DATE | 26/01/07 | UNITS | mm |
| CHK. | | DATE | | SIZE | A4 |
| APP. | | DATE | | SCALE | 1:1 |
| | | | | DWG NO. | SP-2-1171001 |
| | | | | REV: | V0 |
| 上海联捷电气有限公司 Shanghai Elinker Electric CO.,LTD | | | | TITLE | LS341XV-3.81-XXP-1Y-00A LS341XV-3.81-成品 |