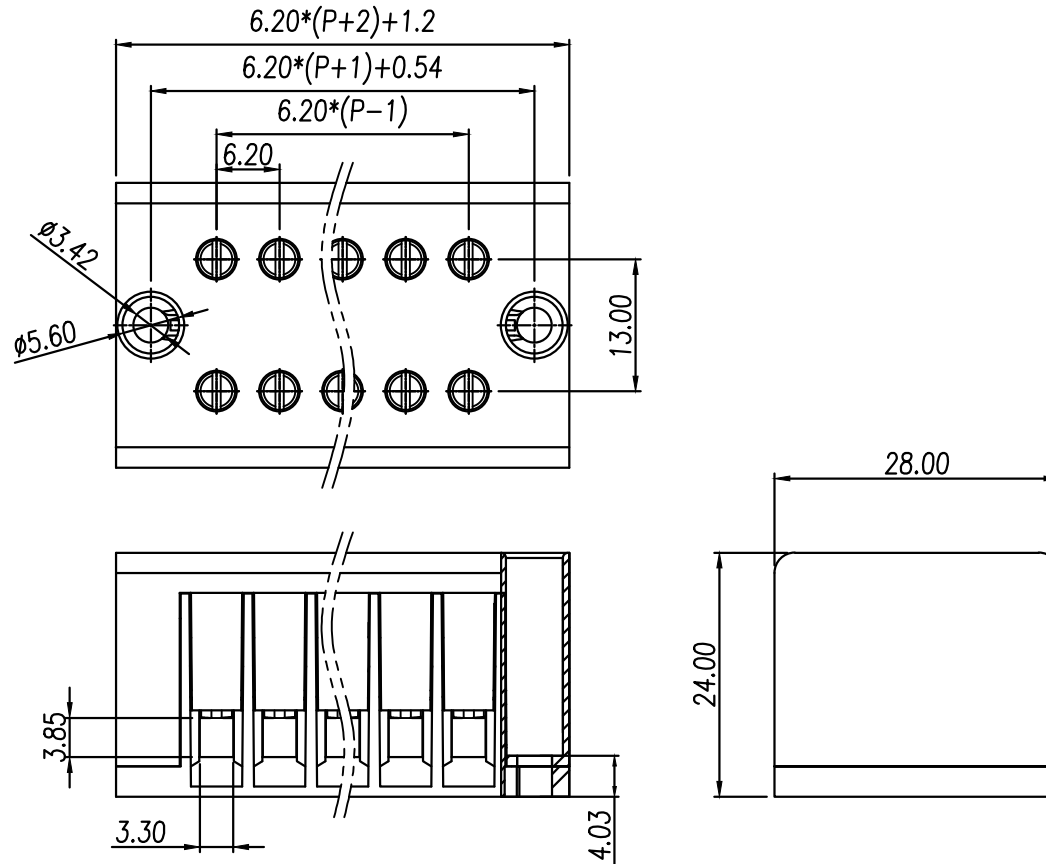


REVISION RECORD			
REV.	CONTENT	MOD.	DATE
△	初版发行		



技术要求:  
极数: 组装  
额定电压: 600V  
额定电流: 20-41A  
螺钉类型/扭力: M3/0.5N.m  
绝缘材料类型: PA66  
阻燃等级: V0  
线径: 0.2-4mm<sup>2</sup>  
使用条件: -40℃~+105℃  
剥线长度: 7mm

5	H3803导电件	6H38B00041AV	P	紫铜	镀镍
4	UK5N-铜方块	F000000140V	2P	黄铜	镀镍
3	UK2.5B-螺丝	SSM0300070V	2P	碳钢	镀镍
2	H3803-盖板	4017C0YXXAV	1	PA66-V0	
1	H3803-本体	4017A0YXXAV	1	PA66-V0	
NO.	NAME OF PART	NO. OF PART	Q'TY	MATERIAL	NOTES
DES.	CMZ	DATE	2025/02/13	UNITS	MM
CHK.		DATE		SIZE	A4
APP.		DATE		SCALE	1:1
				DWG NO.	SP-1-H380350
				REV:	V0
 <b>上海联捷电气有限公司</b> Shanghai Elinker Electric Co., LTD				TITLE	H3803-XXP-1Y-00A
					H3803-成品

	pitch dimension			Nominal dimension					— ▭ ⤿
	over 0	over 6	over 10	over 0	over 30	over 60	over 100	over 150	
variable range	to 6	to 10	to 24	to 30	to 60	to 100	to 150		
Tolerance	±0.1	±0.15	±0.25	±0.2	±0.3	±0.5	±0.7	±1.0	0.05/10