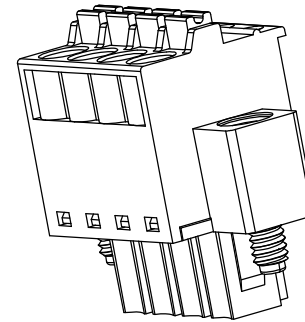
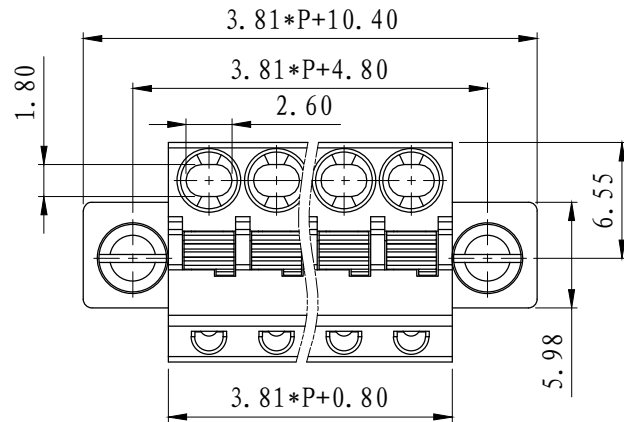
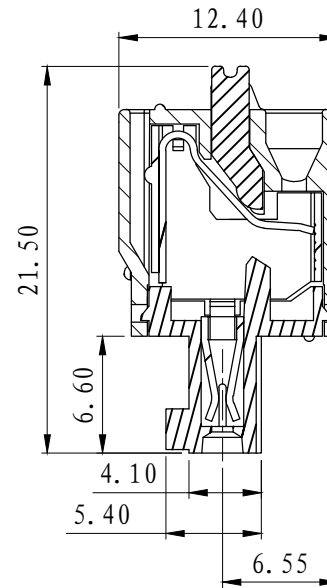
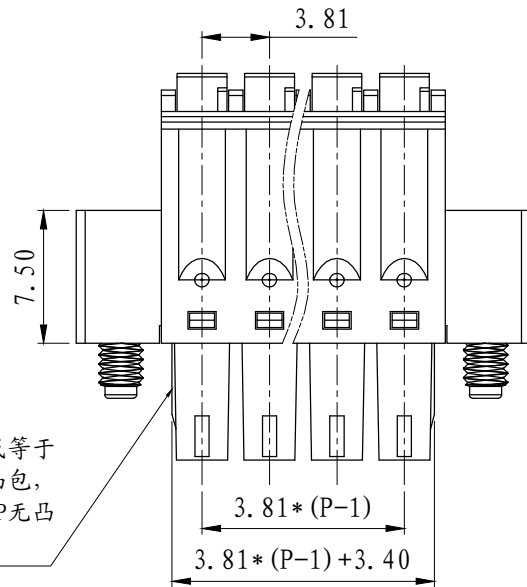


REVISION RECORD			
REV.	CONTENT	MOD.	DATE
△	初版发行		



**NOTES:**  
 Pitch : 3.81mm  
 Rated Voltage : 300V  
 Rated Current : 8A  
 Withstand Voltage :  
 AC2500V for 1 minute  
 Using Temperature Range :  
 - 40°C ~ + 105°C  
 Wire range : 28~ 16AWG



**技术要求:**  
 间距: 3.81mm  
 额定电压: 300V  
 额定电流: 8A  
 耐电压值: AC2500V/min  
 使用条件: -40°C ~ +105°C  
 适用线规: 28~16AWG

	pitch dimension			Nominal dimension					—
	over 0	over 6	over 10	over 0	over 30	over 60	over 100	over 150	
variable range	to 6	to 10	to 24	to 30	to 60	to 100	to 150		
Tolerance	±0.1	±0.15	±0.25	±0.2	±0.3	±0.5	±0.7	±1.0	0.05/10

6	LC1-耳朵螺丝	SP0YA255101V	2	碳钢	三价铬钝化彩锌
5	LC6-3.81-弹片	F2A0DLC638BV	P	不锈钢	
4	LC6-3.81-夹子	1043B0001AV	P	磷青铜	镀镍
3	LC6-3.81-按钮	1043D0YXXAV	P	POM	
2	LC6-3.81-盖板	1043C0YXXAV	1	PA66-V0	
1	LC6M-3.81-主体	1043M0YXXAV	1	PA66-V0	
NO.	NAME OF PART	NO. OF PART	Q'TY	MATERIAL	NOTES
DES.	CMZ	DATE	25/01/03	UNITS	mm
CHK.	HH	DATE	25/01/03	SIZE	A4
APP.		DATE		SCALE	
				DWG NO.	SP-2-1043001
				REV:	V0

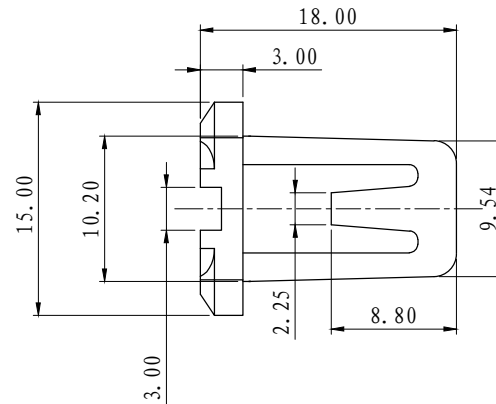
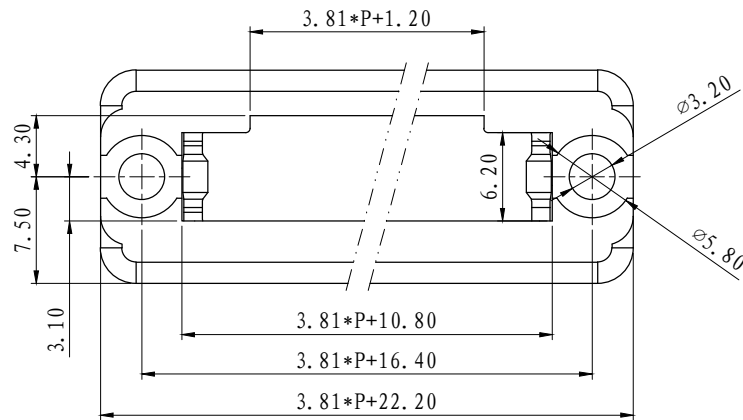
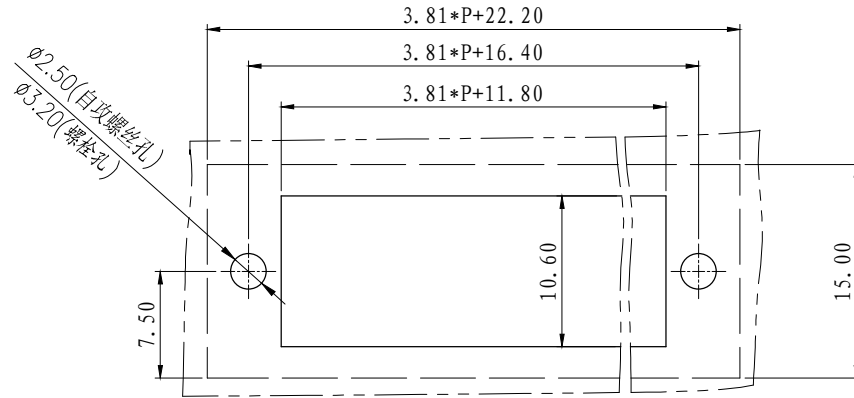
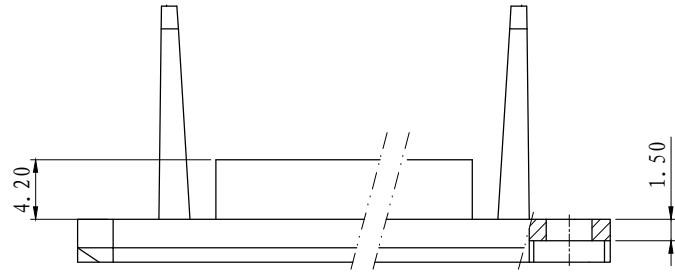


上海联捷电气有限公司  
 Shanghai Elinker Electric CO.,LTD

TITLE

LC6M-3.81-XXP-1Y-00A  
 LC6M-3.81-成品

REVISION RECORD			
REV.	CONTENT	MOD.	DATE
△	初版发行		

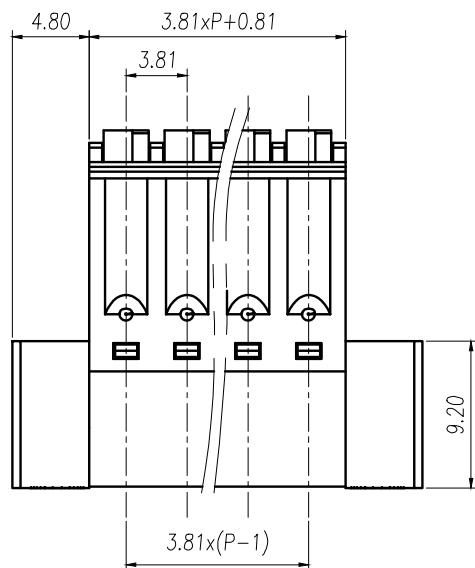
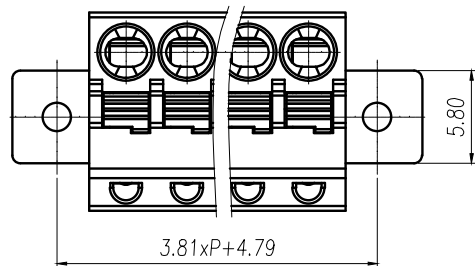


技术要求:

1. 避免色差明显变形和缩水现象
2. 最大允许毛刺量0.05mm
3. 与LC60MG-3.81的产品匹配

	pitch dimension			Nominal dimension					— /
	over 0 to 6	over 6 to 10	over 10 to 24	over 0 to 30	over 30 to 60	over 60 to 100	over 100 to 150		
variable range	0 to 6	6 to 10	10 to 24	0 to 30	30 to 60	60 to 100	100 to 150		
Tolerance	±0.1	±0.15	±0.25	±0.2	±0.3	±0.5	±0.7	±1.0	0.05/10

1	LZ5XA-3.81-主体	1164A0YXXAV-1	1	PA66+10%GF	
NO.	NAME OF PART	NO. OF PART	Q'TY	MATERIAL	NOTES
DES.	CMZ	DATE 2024/07/25	UNITS	MM	THIRD ANGLE PROJECTION
CHK.		DATE	SIZE	A4	SHEET 1 of 1
APP.		DATE	SCALE	1:1	DWG NO. SP-1-1164A001 REV: V0
上海联捷电气有限公司 Shanghai Elinker Electric C O., LTD				TITLE	LZ5XA-3.81-XXP-1Y-00A LZ5XA-3.81-产品



REVISION RECORD			
REV.	CONTENT	MOD.	DATE
①	初版发行		

**NOTES1:**

UL Standard:

1.Voltage Rating: 300V, Current Rating: 8A

2.Suitable Electric Wire: 28-16AWG

IEC Standard:

1.Voltage Rating: 160V, Current Rating: 8A

2.Suitable Electric Wire: 26-14AWG

**NOTES2:**

1.Pitch : 3.81mm

2.Withstand Voltage : AC2500V for 1 minute

3.Insulation Resistance : 500MΩ / DC500V

4.Using Temperature Range : - 40℃ ~ + 105℃

**技术要求1:**

UL 标准:

1. 额定电压: 300V, 额定电流: 8A

2. 适用线规: 28~16AWG

IEC 标准:

1. 额定电压: 160V, 额定电流: 8A

2. 适用线规: 26~14AWG

**技术要求2:**



1. 间距: 3.81mm

2. 耐电压值: AC2500V/min

3. 绝缘阻抗: 500MΩ/DC500V

4. 使用条件: -40℃~+105℃

6	LZ1-5.08-螺母	SM00B25000V	2	黄铜		
5	LC60-3.81五金件	2079B0001AV	P	磷青铜	镀亮锡	
4	LC6-3.81-弹片	F2A0DLC638BV	P	不锈钢		
3	LC6-3.81-按钮	1043D0YXXAV	P	POM		
2	LC60MG-3.81-盖板	2081N0YXXAV	1	PA66-V0		
1	LC6-3.81-本体	1043A0YXXAV	1	PA66-V0		
NO.	NAME OF PART		NO. OF PART	Q'TY	MATERIAL	NOTES
DES.	WY	DATE	2020/06/01	UNITS	MM	THIRD ANGLE PROJECTION SHEET
CHK.		DATE		SIZE	A4	 1 of 1
APP.		DATE		SCALE	1:1	DWG NO. SP-1-2081140 REV: V0
 <b>上海联捷电气有限公司</b> Shanghai Elinker Electric Co., LTD					TITLE	LC60MG-3.81-XXP-1Y-00A
						LC60MG-3.81-成品

	pitch dimension			Nominal dimension					—  — 
	over 0	over 6	over 10	over 0	over 30	over 60	over 100	over 150	
variable range	0 to 6	6 to 10	10 to 24	0 to 30	30 to 60	60 to 100	100 to 150		
Tolerance	±0.1	±0.15	±0.25	±0.2	±0.3	±0.5	±0.7	±1.0	0.05/10