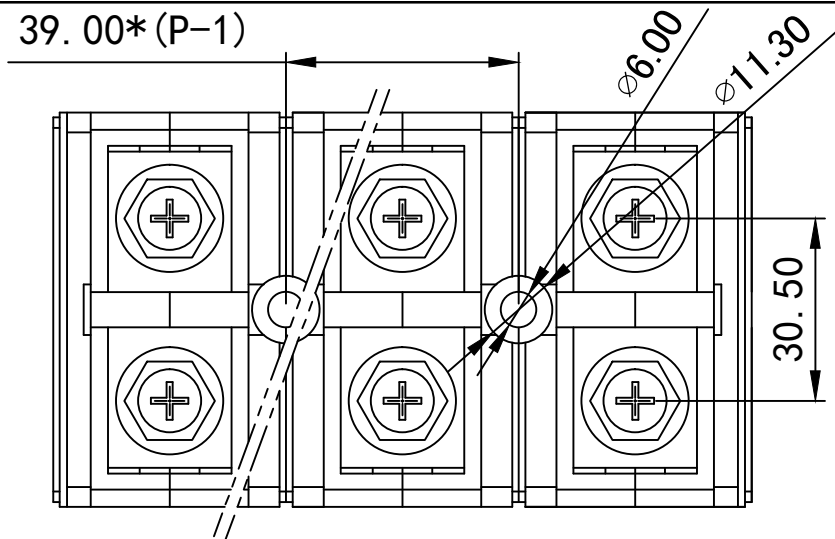


39.00*(P-1)



REVISION RECORD			
REV.	CONTENT	MOD.	DATE

技术要求:

极数: 组装

额定电压: 1200V

额定电流: 150A

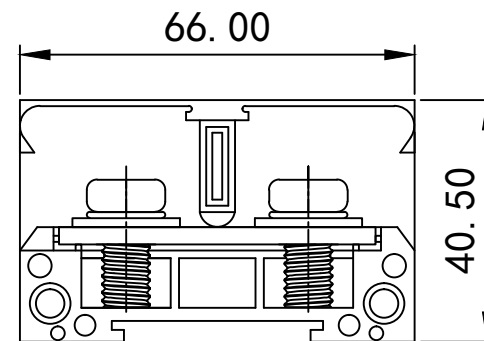
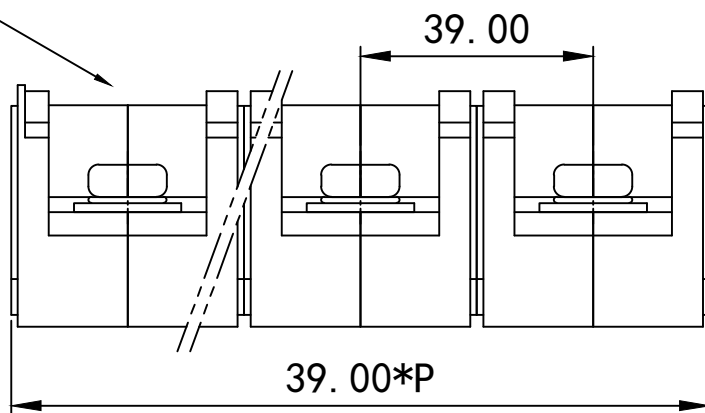
螺钉类型/扭力: M8/3.5N.m

绝缘材料类型: PC

阻燃等级: V0

刚柔性导线: 50mm²

备注: 端子上面有透明(防护罩)



	pitch dimension			Nominal dimension					—
	over 0 to 6	over 6 to 10	over 10 to 24	over 0 to 30	over 30 to 60	over 60 to 100	over 100 to 150	□	
variable range	0 to 6	6 to 10	10 to 24	0 to 30	30 to 60	60 to 100	100 to 150	○	
Tolerance	±0.1	±0.15	±0.25	±0.2	±0.3	±0.5	±0.7	±1.0	0.05/10

7	TC2-150A罩盖	6046C00010V	1	PC	透明
6	M3螺母	SNM0400010V	2	黄铜	镀镍
5	M3螺杆	L000400010V	2	铁	镀锌
4	IN100BK螺丝	SSD0800030V	2P	碳钢	镀锌
3	TC2-150A导电件	6046B00010V	P	黄铜	镀镍
2	TC2-150A端板	6046C30XXAV	2	PC	黑色
1	TC2-150A本体	6046A30XXAV	2P-2	PC	黑色
NO.	NAME OF PART	NO. OF PART	Q'TY	MATERIAL	NOTES
DES.	CMZ	DATE	2026/05/16	UNITS	mm
CHK.		DATE		SIZE	A4
APP.		DATE		SCALE	1:1
				DWG NO.	6046A30
				REV:	T0
上海联捷电气有限公司 Shanghai Elinker Electric CO.,LTD				TITLE	TC2-150XX-130-00A TC2-150A成品